

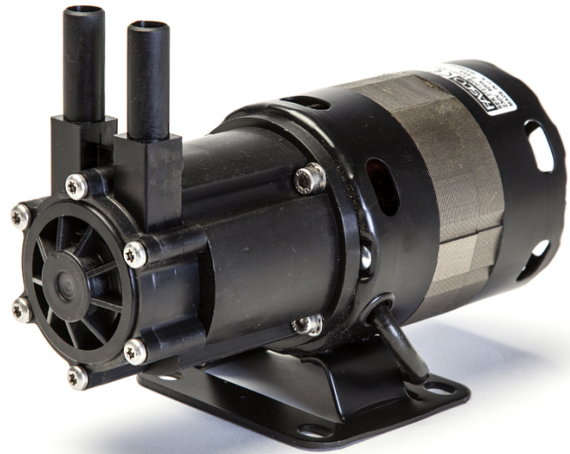
The HTP is a unique range of high head / low flow regenerative turbine pumps, with applications across many industries.

Manufactured from polyphenylene sulphide HTP pumps are robust and capable of pumping a wide range of liquids.

The HTP is based around optimised pump chamber engineered to produce extremely low friction losses and a high flow to power ratio.

When fitted with encapsulated impeller magnets a wide range of acid, alkaline and solvent liquids can be pumped.

Due to the use of PPS and the use of rare earth drive magnets, HTP pumps can be configured to pump high temperature liquids.



HTP magnetic drive turbine pumps add to sealer range advantage magnetic coupling:

- longer service life
- no mechanical seals
- totally sealed
- low maintenance
- less power consumption
- smooth operation

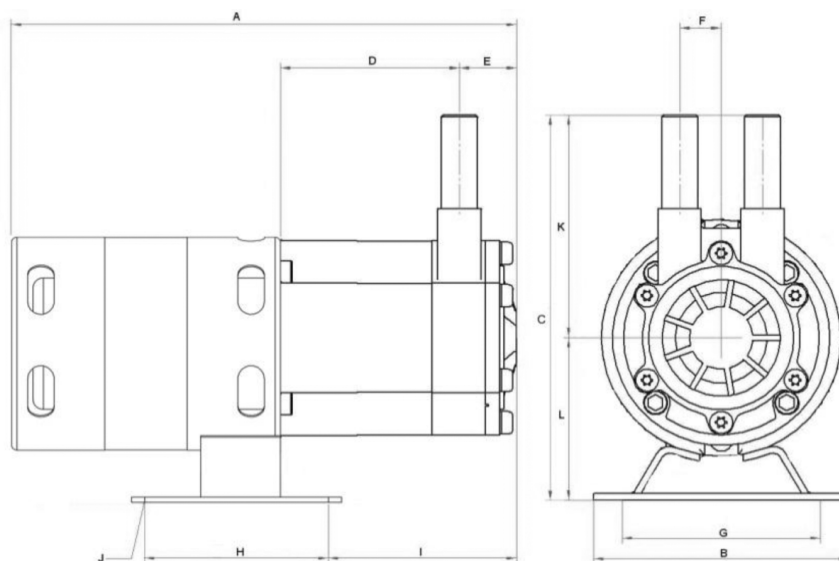
Materials:

- Pump housing **PPS**
- Impeller **PPS**
- Spindle **STAINLESS STEEL**
- Thrust washer **CERAMIC**
- O ring **NITRILE / EPDM / VITON / PTFE**
- Max temperature: **100 °C**
- Max system pressure: **300 psi**

Technical information

Motor Data	Code	Frame	Mounting	IP	Phase	50 Hz			60 Hz			Approvals	Total kg
						rpm	Kw	Amps	rpm	Kw	Amps		
50 Hz 230V	AF1D6288	56	B34	44	1	2900	0.03	0.7	-	-	-	CE	2.1
50/60 Hz 230V	AF1D6289	56	B34	44	1	2900	0.07	0.7	3400	0.07	0.75	CE UL CSA*	2.1
50/60 Hz 110V	AFD17037	56	B34	44	1	2900	0.03	1.4	3400	0.03	1.5	CE UL CSA*	2.1

Dimensions



Dimensions	A	B	C	D	E	F	G	H	I	J	K	L	Inlet	Outlet
all dimensions in mm														
50 Hz 230V	189.00	89.00	140.00	68.00	20.00	14.50	67.50	60.20	74.00	11.00	79.00	56.00	1/2"	1/2"
50/60 Hz 230V	200.00	89.00	140.00	68.00	20.00	14.50	67.50	60.20	74.00	11.00	79.00	56.00	1/2"	1/2"
50/60 Hz 110V	195.00	89.00	140.00	68.00	20.00	14.50	67.50	60.20	74.00	11.00	79.00	56.00	1/2"	1/2"

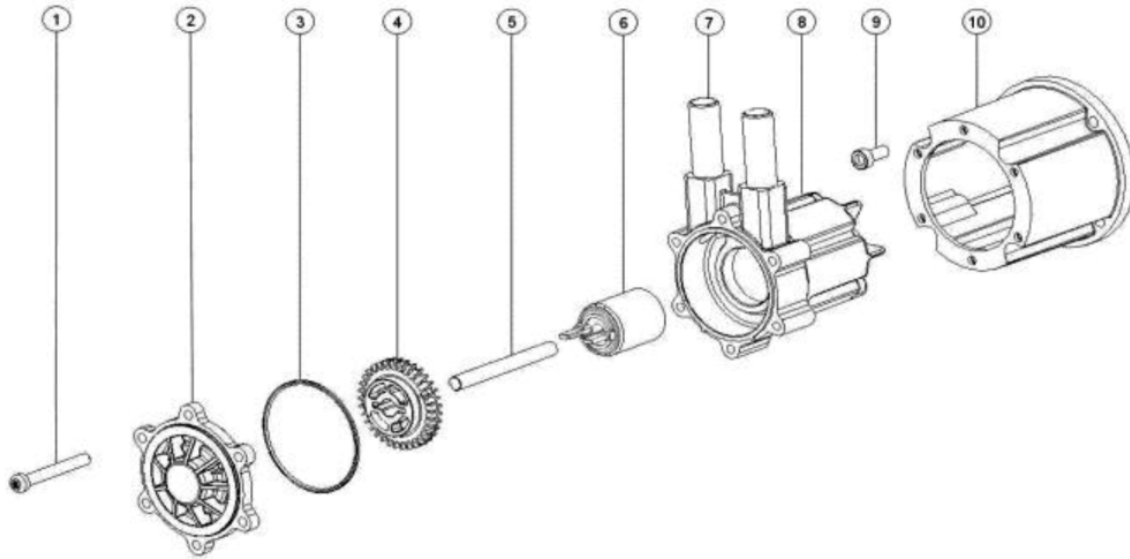


www.teoremasrl.com

MAGNETIC DRIVE TURBINE HTP-PPS series

GENERAL DESCRIPTION

Technical information



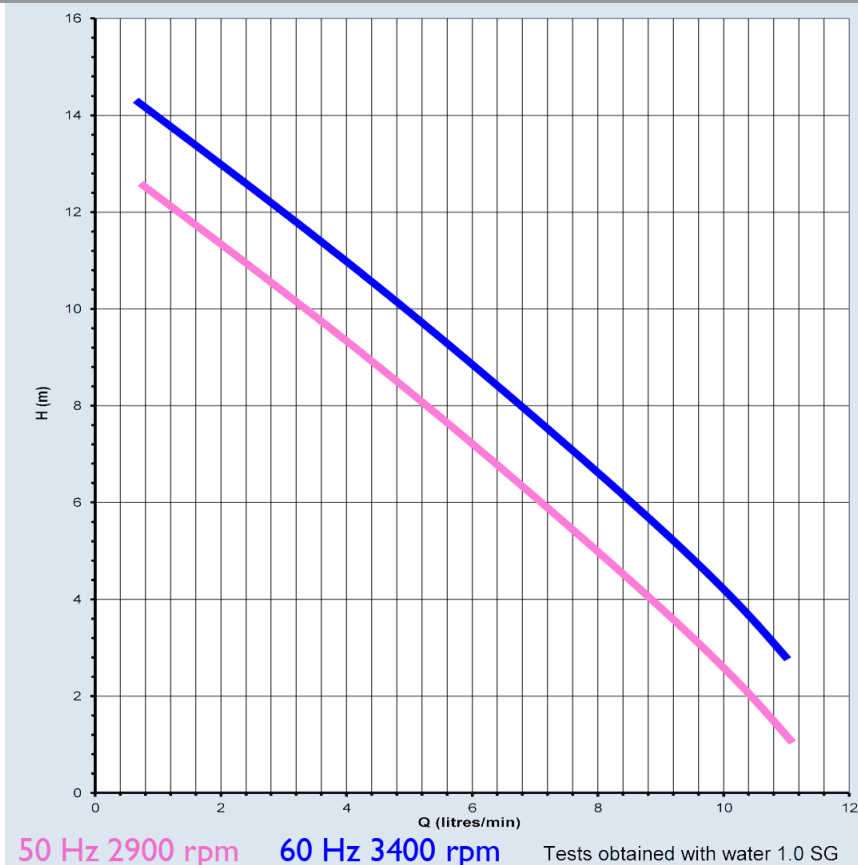
MAGNETIC DRIVE TURBINE
HTP-PPS series

MAGNETIC DRIVE TURBINE
HTP-PPS series

2

PERFORMANCE CURVES

Performance Curves



TEOREMA SRL

Via Vittorio Veneto, 94/11 - 26010 Pianengo (CR) Tel. +39 0373 257429 Fax +39 0373 256231 P.IVA 012585300193
e-mail: info@teoremasrl.com Web : www.teoremasrl.com

