

The HTP is a unique range of high head / low flow regenerative turbine pumps, with applications across many industries.

Manufactured from polyphenylene sulphide HTP pumps are robust and capable of pumping a wide range of liquids.

The HTP is based around optimised pump chamber engineered to produce extremely low friction losses and a high flow to power ratio.

When fitted with encapsulated impeller magnets a wide range of acid, alkaline and solvent liquids can be pumped.

Due to the use of PPS and the use of rare earth drive magnets, HTP pumps can be configured to pump high temperature liquids.



HTP magnetic drive turbine pumps add to sealer range advantage magnetic coupling:

- longer service life
- no mechanical seals
- totally sealed
- low maintenance
- less power consumption
- smooth operation

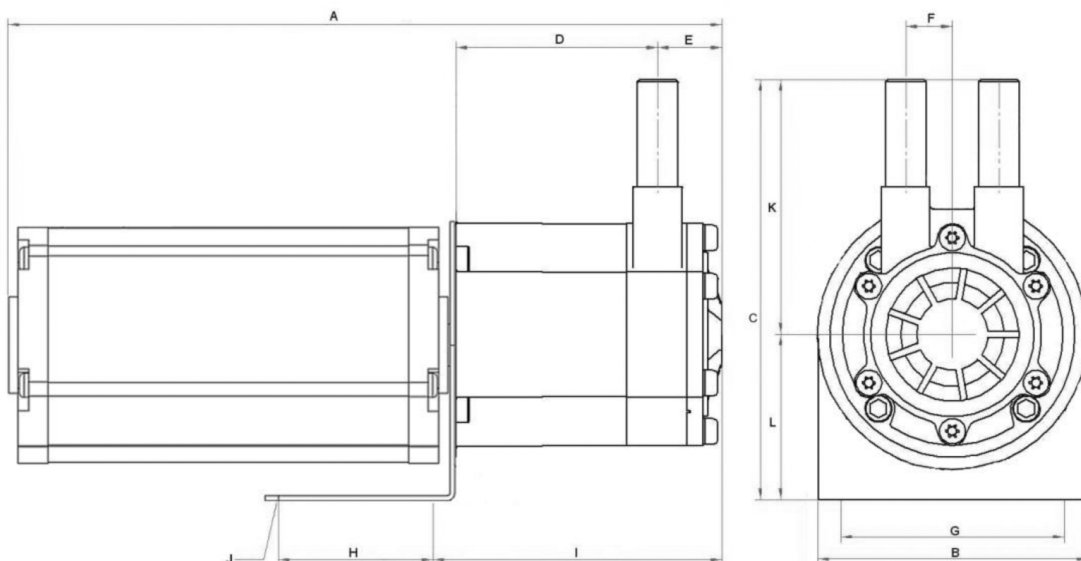
Materials:

- Pump housing **Ryton**
- Impeller **Ryton**
- Spindle **Ceramic**
- Thrust washer **Ceramic**
- O ring **Viton®**
- Max temperature: **88 °C**
- Max system pressure: **3.0 bar**

Technical information

Motor Data	Code	Frame	Mounting	IP	Phase	50 Hz			60 Hz			Approvals	Total kg
						rpm	Kw	Amps	rpm	Kw	Amps		
12V DC BL	BG 65x25 Ki	-	-	55	1	3100	0.15	8.0	-	-	-	CE / UL	3.5
24V DC BL	BG 65x25 Ki	-	-	55	1	3100	0.15	4.0	-	-	-	CE / UL	3.5

Dimensions



Dimensions	A	B	C	D	E	F	G	H	I	J	K	L	Inlet	Outlet
all dimensions in mm														
12V DC BL	180.00	82.00	135.00	68.00	20.00	14.50	72.00	45.00	101.50	4 x Ø 7.00	79.00	56.00	1" BSP F	*
24V DC BL	180.00	82.00	135.00	68.00	20.00	14.50	72.00	45.00	101.50	4 x Ø 7.00	79.00	56.00	1" BSP F	*

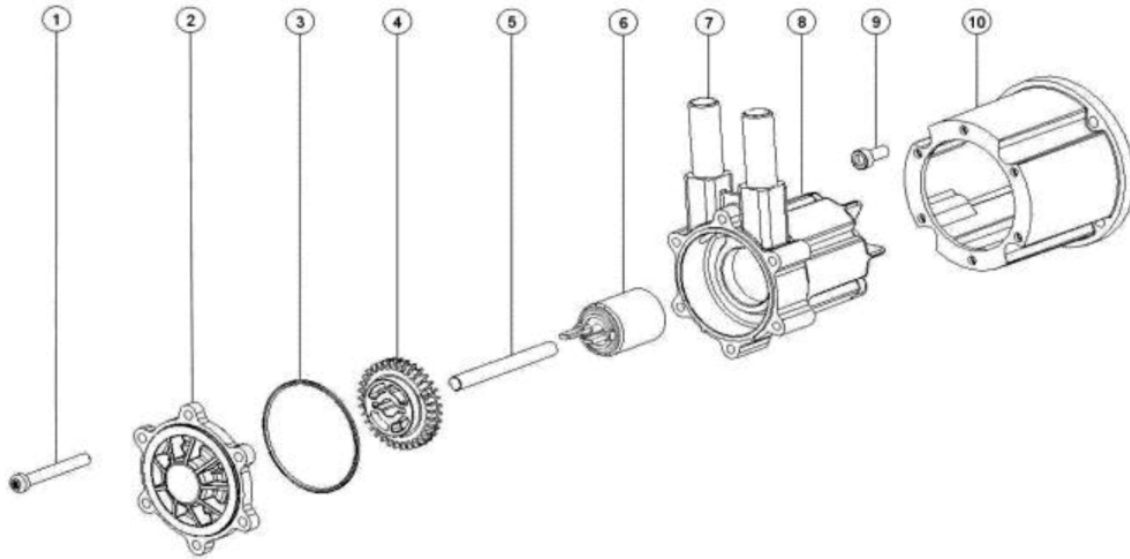


www.teoremasrl.com

MAGNETIC DRIVE TURBINE HTP-BLDC series

GENERAL DESCRIPTION

Technical information

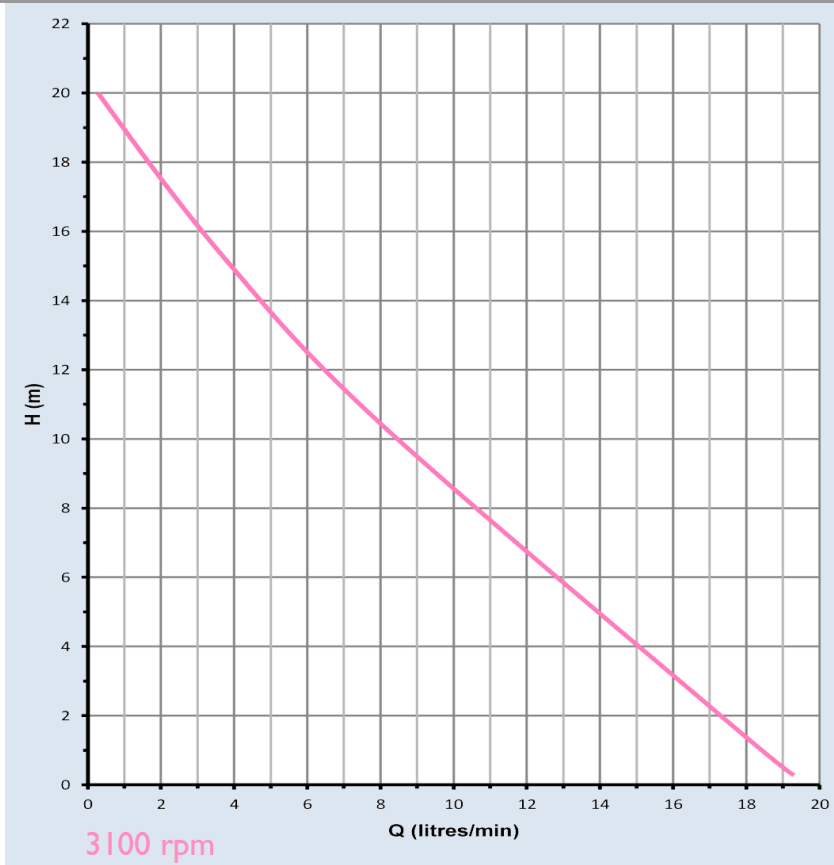


Item	Description	Qty	Code	Item	Description	Qty	Code
1	HOUSING SCREW ST/ST	4	5002-120-30	6	IMPELLER MAGNET	1	5025-100-51
2	FRONT COVER PPS	1	5022-2101-50	7	PUMP HOUSING PPS	1	5025-141-09
3	O RING NITRILE	1	5002-120-30	8	DRIVE MAGNET	1	5025-201-00
4	TURBINE PPS	1	5025-131-14	9	BRACKET FIXING SCREW	1	5025-170-01
5	SPINDLE ST/ST	1	5025-191-08	10	MOTOR BRACKET	1	5090-512-50CAP

2

MAGNETIC DRIVE TURBINE
HTP-BLDC series

Performance Curves



PERFORMANCE CURVES

MAGNETIC DRIVE TURBINE
HTP-BLDC series

