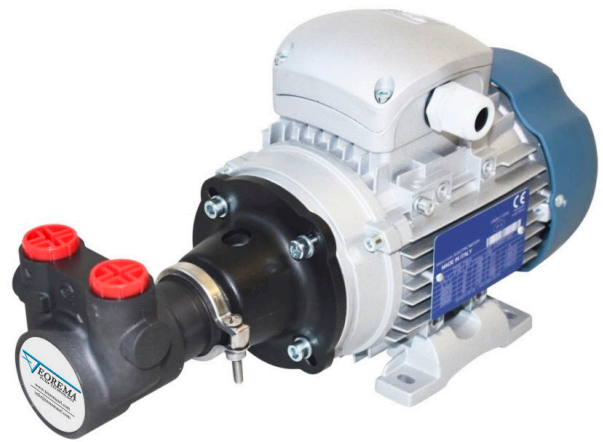


The Fluid-o-Tech® IG series positive displacement pumps have been designed to handle viscous fluids with impurities in suspension and to withstand relatively high temperatures, while delivering a smooth flow. Precise by design, they allow accurate and repeatable performance, but also providing high pressure. Food grade materials are available upon request. The model comes with a flow rate ranging from 100 l/h to 1500 l/h, with 1/2" GAS ports, o-rings in Viton® and clamp mounting, thermal separation through coupling. The max rpm are 3500.



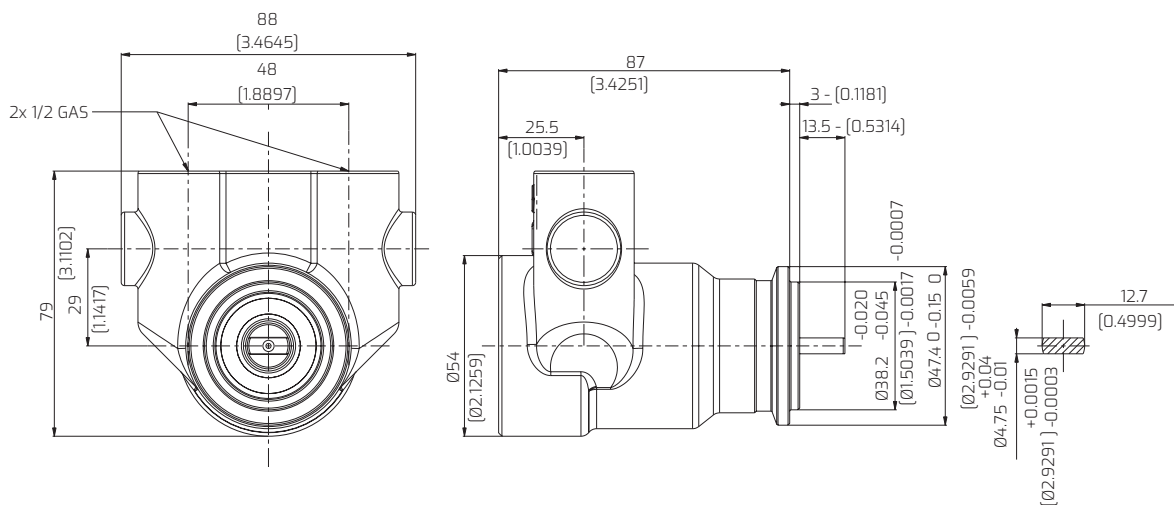
MAIN APPLICATIONS

- Fryer machines

TECHNICAL INFORMATION

Pump housing material	Cast Iron G25	Min/max fluid temperature	5/200 °C - 41/392 F
Gears material	Distalloy AE	Speed range	from 250 to 3500 rpm
Ports	1/2" GAS	Unit weight	1.6 Kg
Max static pressure	20 bar/290 psi	Wet lift*	> 6 m

DIMENSIONS

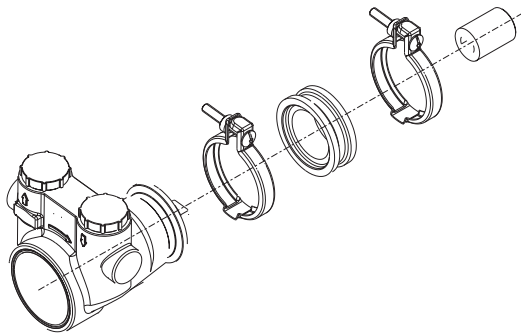


Dimensions in mm [inches]



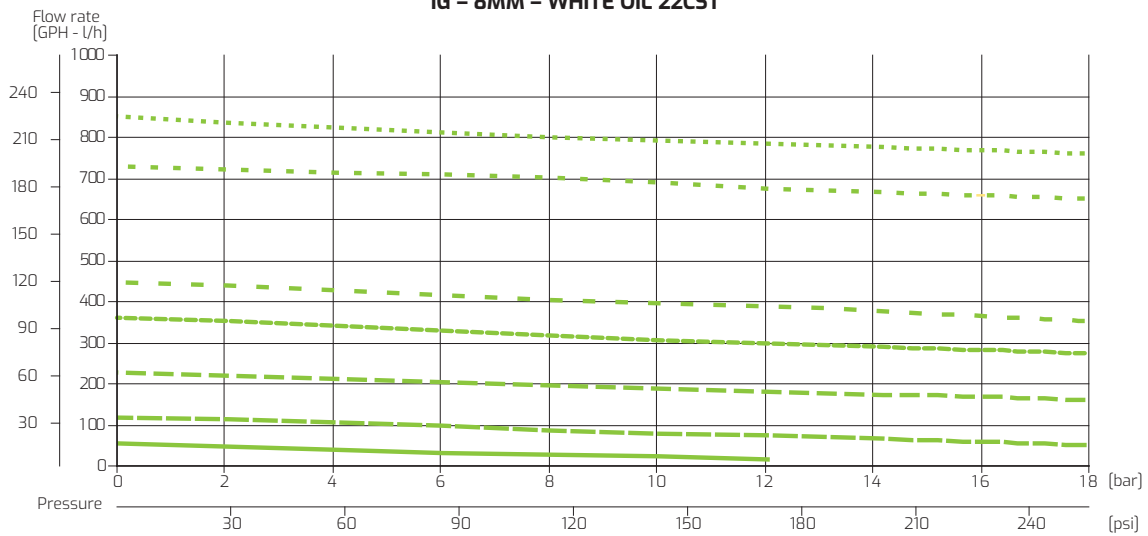
PERFORMANCE CURVES

VOLUMETRIC PUMPS
IG series

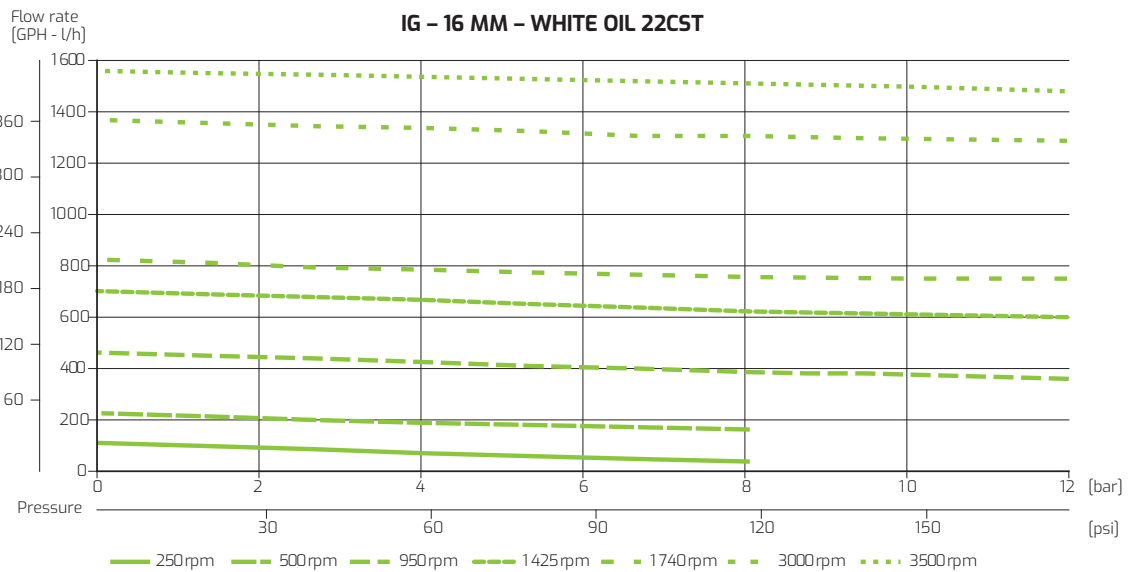


POS	DESCRIPTION	CODE
1	IG series pump	
2	High temperature spacer 48 YZ	92-01-05
3	Clamp	94-80-01
4	Heavy duty cross coupling	91-03-10

IG - 8MM - WHITE OIL 22CST



IG - 16 MM - WHITE OIL 22CST



Note: curves obtained at ambient temperature. For applications involving other fluids, high temperatures or unusual processing conditions, please consult the factory or an authorized Fluid-o-Tech distributor.



PERFORMANCE CURVES